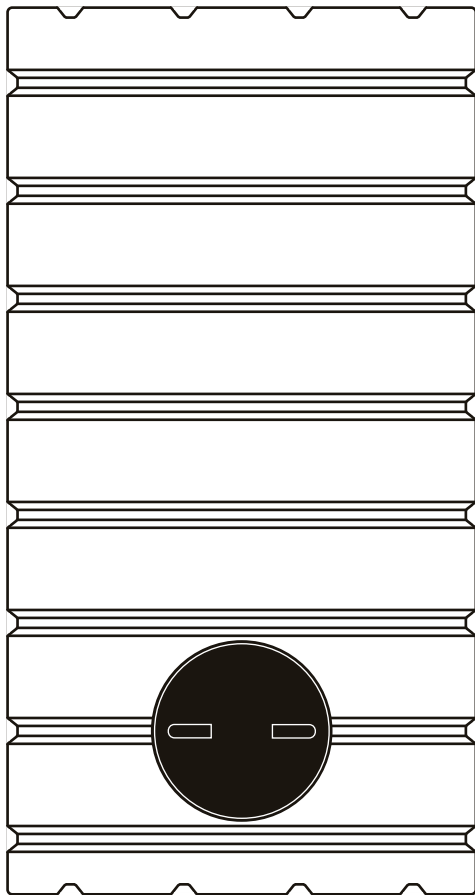
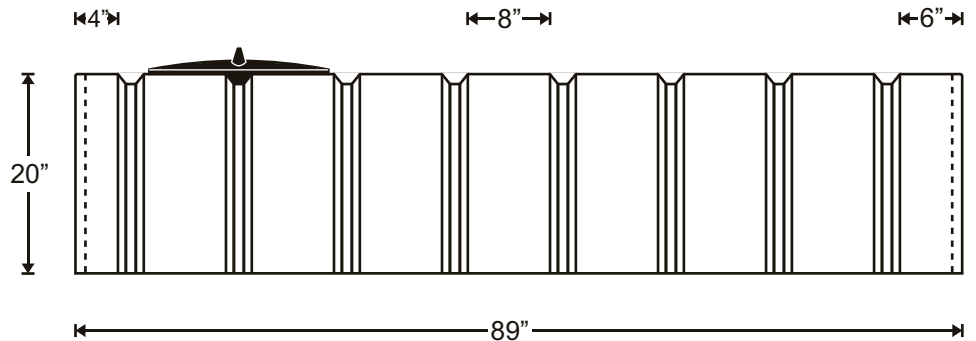
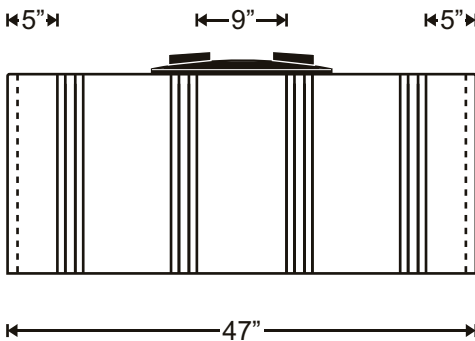


LP300Z GALLON LOW PROFILE TANK



- HEAVY DUTY, ONE-PIECE, SEAMLESS, POLYETHYLENE CONSTRUCTION
- FREE STANDING CONSTRUCTION; NO REINFORCEMENT REQUIRED
- LOW PROFILE DESIGN TO FIT IN MANY PLACES: UNDER DECKS, COTTAGES, AND IN HIGH WATER TABLE AREAS
- EXCELLENT RESISTANCE TO IMPACT AND COLD WEATHER STRESS
- WON'T CRACK, RUST, OR CORRODE
- ULTRAVIOLET INHIBITORS PROVIDE PROTECTION AGAINST DETERIORATION FROM SUNLIGHT
- F.D.A. APPROVED FOR POTABLE WATER
- SUPERIOR CHEMICAL RESISTANCE AND COMPATIBILITY
- DIMENSIONS: 47" x 89" x 20" H
- CAPACITY: 300 IMP. GAL. (1350 LITRES)



*All Measurements are approximate

ZEEBEST PLASTICS

35 Calder Place, St. Albert, AB T8N 5A6
Ph: 780.447.5222 Fax: 780.455.9448
www.zeebest.com sales@zeebest.com