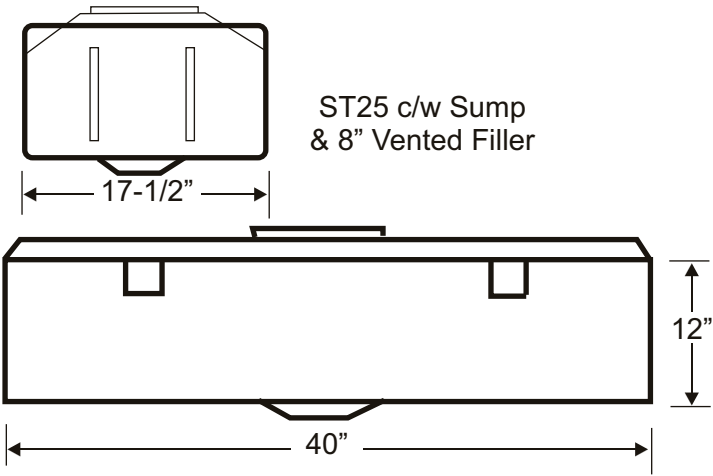
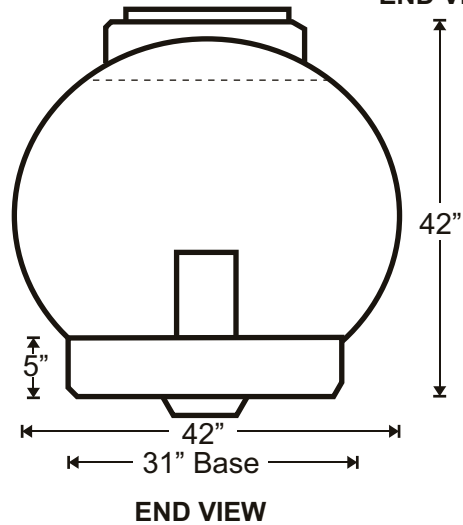
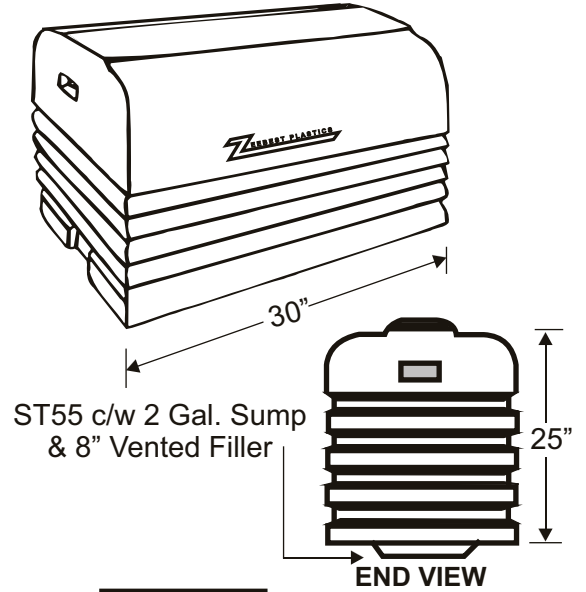


# ZEEBEST SPRAYER TANKS



ST220 c/w 2 Gal. Sump and 15" Manway



*\*These tanks are specially designed to adapt easily to existing Sprayer Frames.*

| MODEL | IMP. GAL. | OVERALL DIMENSIONS |
|-------|-----------|--------------------|
| ST25  | 25        | 17" x 40" x 11"H   |
| ST55  | 55        | 24" x 30" x 25"H   |
| ST220 | 220       | 42" x 54" x 42"H   |

\*All Measurements are approximate



35 Calder Place, St. Albert, AB T8N 5A6  
 Ph: 780.447.5222 Fax: 780.455.9448  
 www.zeebest.com sales@zeebest.com