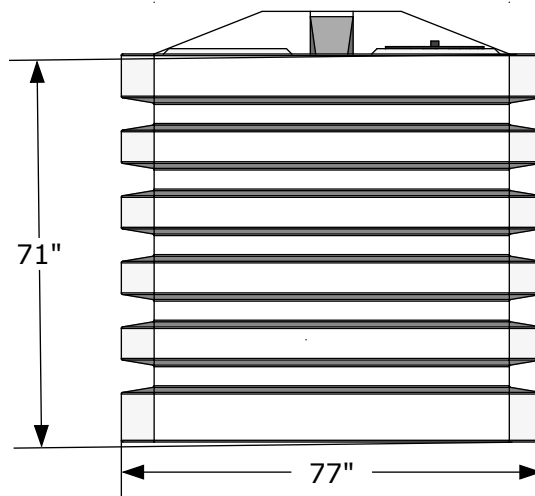
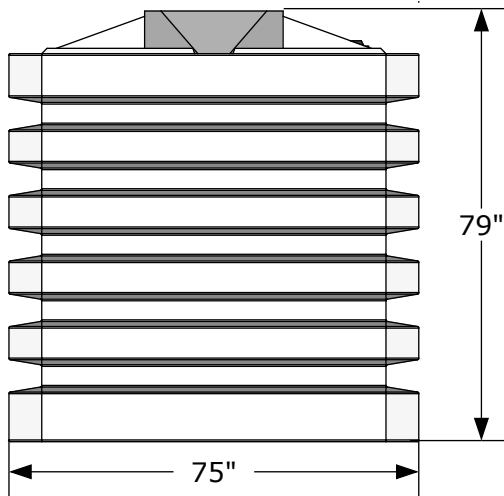
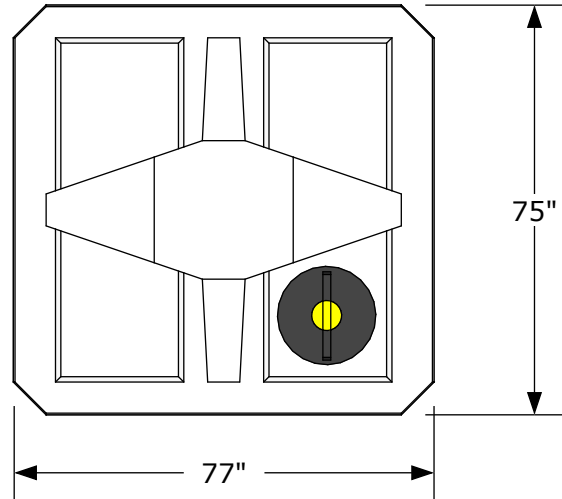
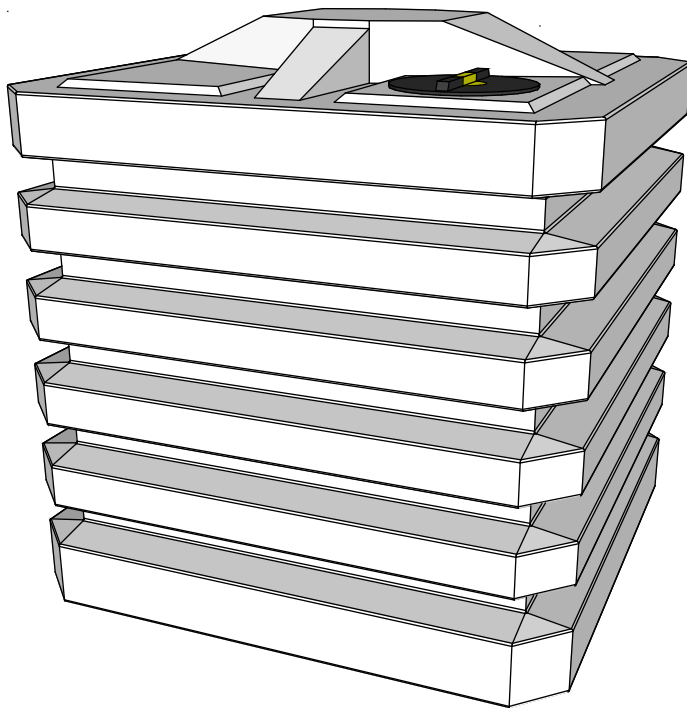


VS1500



- HEAVY DUTY, ONE-PIECE, SEAMLESS POLYETHYLENE CONSTRUCTION**
- WON'T CRACK, RUST, OR CORRODE**
- F.D.A. APPROVED FOR POTABLE WATER**

- DIMENSIONS: 75"W x 77"L x 79" H**
- CAPACITY: 1500 US GALLONS (5678 LITERS)**
- NOT EXACTLY AS ILLUSTRATED**
- ALL DIMENSION ARE APPROXIMATE**

ZEEBEST PLASTICS

9704 90 Avenue, Morinville, AB T8R 1K7
Ph: 780.447.5222 Fax: 780.455.9448
www.zeebest.com sales@zeebest.com