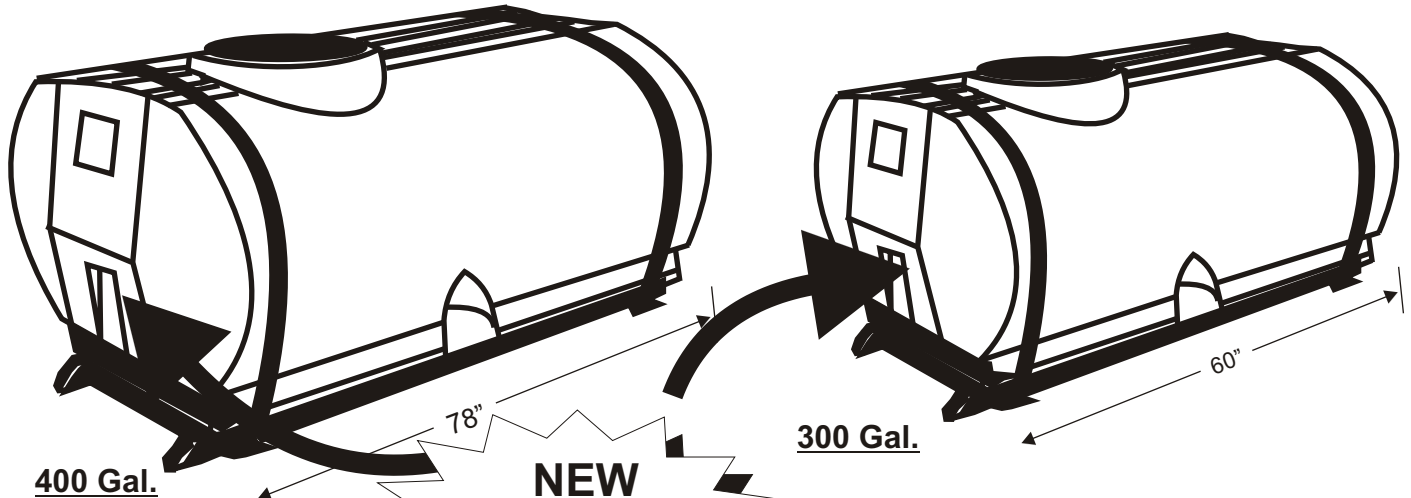
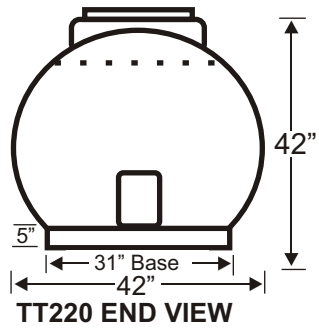
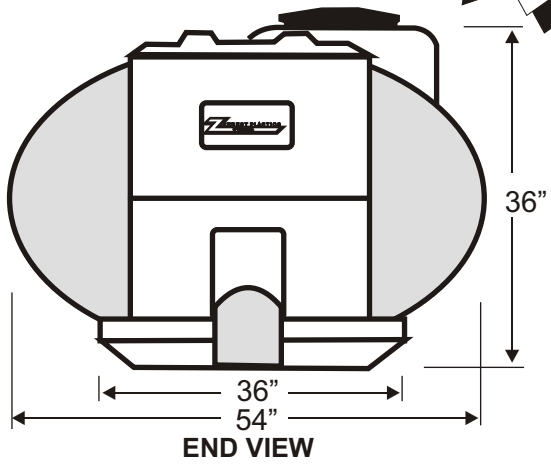


ZEEBEST TRANSPORT TANKS



NEW
Molded in Handles
for Easy Lifting



- F.D.A. APPROVED FOR POTABLE WATER
- ULTRA VIOLET INHIBITORS PROVIDE PROTECTION AGAINST SUNLIGHT
- HEAVY DUTY POLYETHYLENE CONSTRUCTION
- CORRUGATED RIBS ADD EXTRA STRENGTH
- RECESSED PORT FOR TANK OUTLET
- OFFSET 15" VENTED MANWAY LID
- CALIBRATED IN IMP. GALLONS
- STEEL BASE & BANDS AVAILABLE
- 2 YEAR WARRANTY

Tank Model	Imp. Gal.	Overall Dimensions
TT220	220	42"W x 54"L x 42"H
TT300	300	54"W x 59"L x 36"H
TT400	400	54"W x 78"L x 36"H

*All Measurements are approximate

These low profile tanks are specifically designed to fit between the wheel wells on most pickups.



35 Calder Place, St. Albert, AB T8N 5A6
 Ph: 780.447.5222 Fax: 780.455.9448
 www.zeebest.com sales@zeebest.com