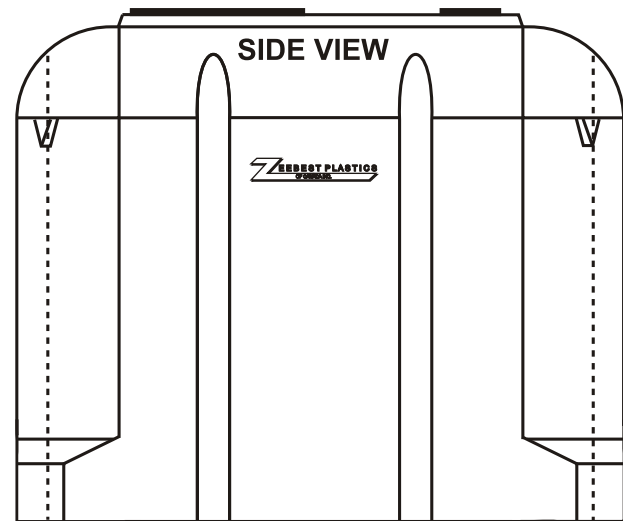
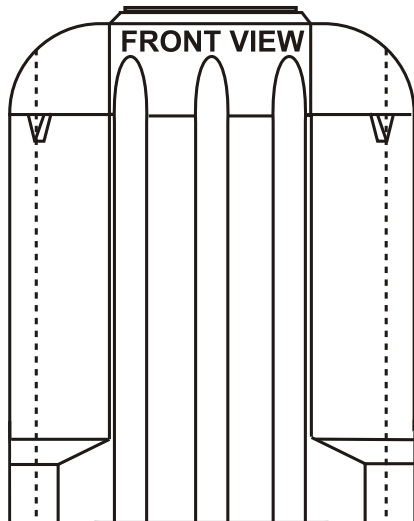
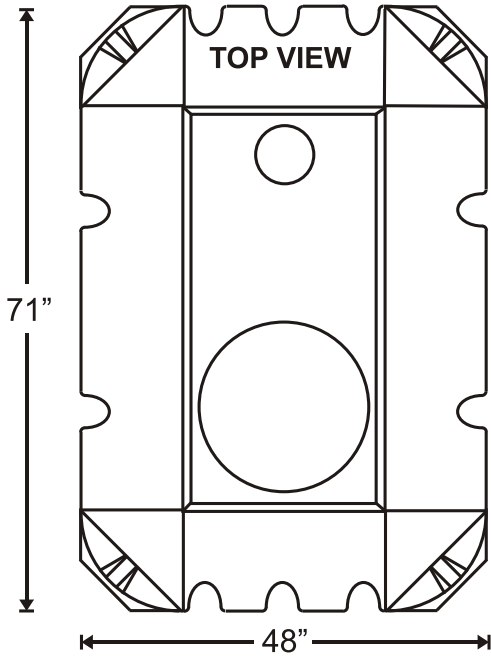


# LT630 LOAF TANK



 F.D.A. APPROVED FOR POTABLE WATER

 HEAVY DUTY POLYETHYLENE CONSTRUCTION

 ULTRA VIOLET INHIBITORS PROVIDE PROTECTION AGAINST SUNLIGHT

 SUITABLE FOR STEAM AND PRESSURE WASH TRUCKS

 COMPLETE WITH STEEL SUPPORT AND MOUNTING FRAME

 CAN BE MOUNTED SIDE BY SIDE

 15" VENTED MANWAY LID

 2 YEAR WARRANTY

 DIMENSIONS: 48" W x 71" L x 60" H

 CAPACITY : 630 IMP. GAL. (2804 LITRES)

\*All measurements are approximate.

## ZEEBEST PLASTICS

35 Calder Place, St. Albert, AB T8N 5A6  
 Ph: 780.447.5222 Fax: 780.455.9448  
 www.zeebest.com sales@zeebest.com