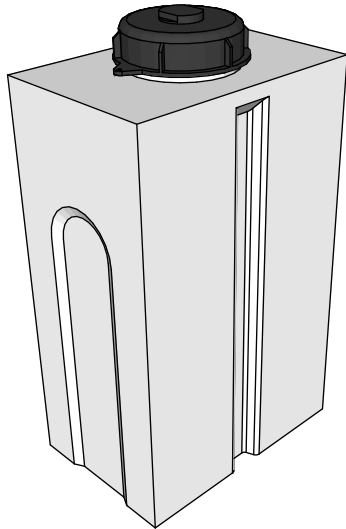
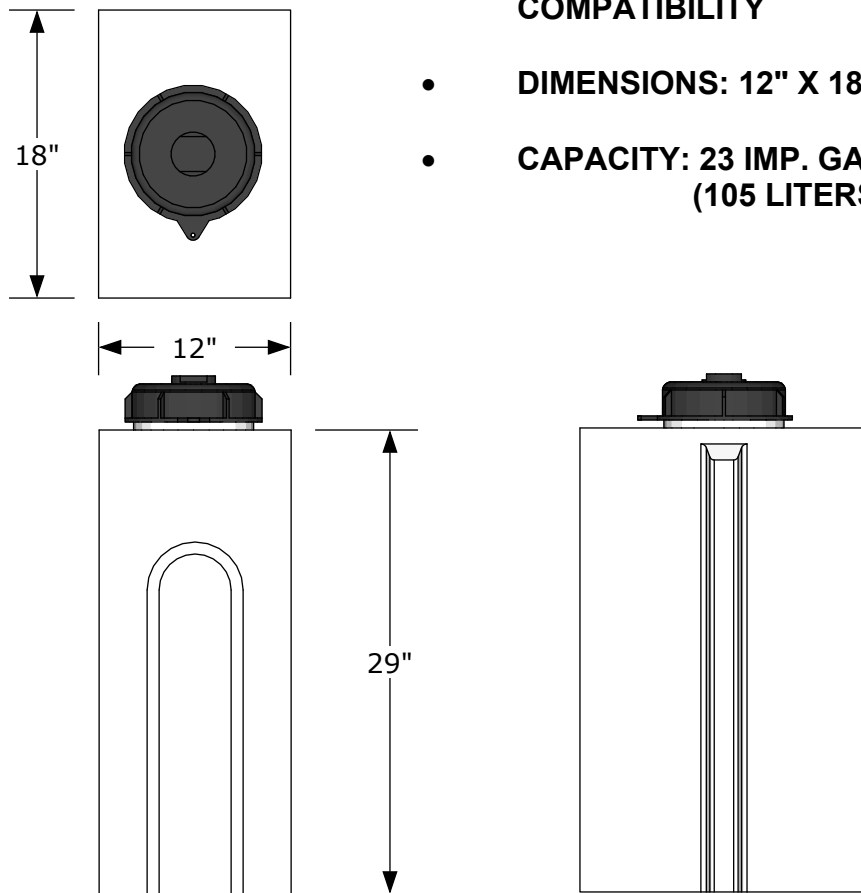


# R121829HDTN



- HEAVY DUTY, ONE-PIECE, SEAMLESS, POLYETHYLENE CONSTRUCTION
- EXCELLENT RESISTANCE TO IMPACT AND COLD WEATHER STRESS
- WON'T CRACK, RUST OR CORRODE
- ULTRAVIOLET INHIBITORS PROVIDE PROTECTION AGAINST DETERIORATION FROM SUNLIGHT
- SUPERIOR CHEMICAL RESISTANCE AND COMPATIBILITY
- DIMENSIONS: 12" X 18" X 29" H
- CAPACITY: 23 IMP. GAL.  
(105 LITERS)



**ZEEBEST PLASTICS**

35 Calder Place, St. Albert, AB T8N 5A6  
Ph: 780.447.5222 Fax: 780.455.9448  
www.zeebest.com sales@zeebest.com