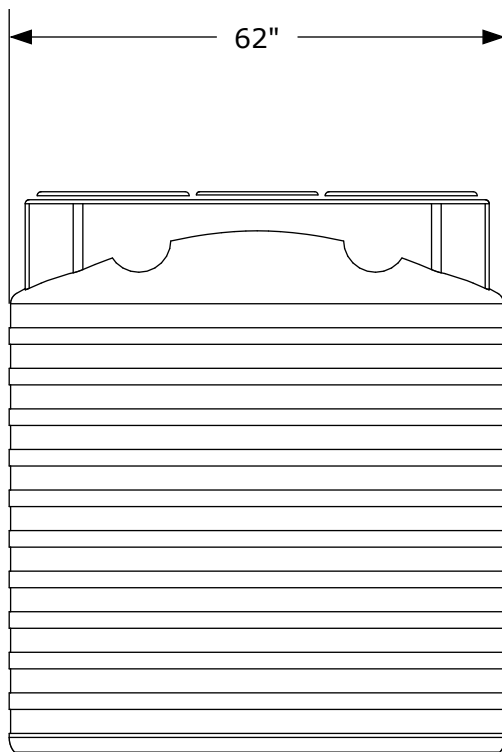
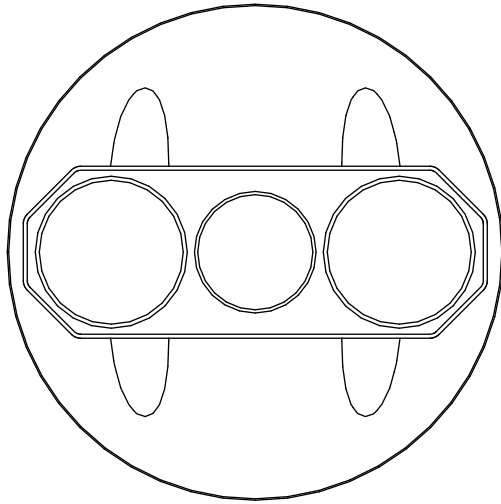
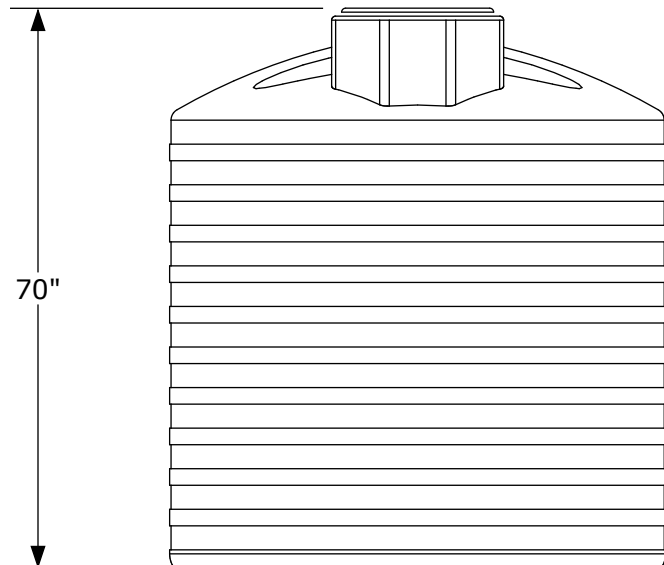


ZST660



- **HEAVY DUTY, ONE-PIECE, SEAMLESS, POLYETHYLENE CONSTRUCTION**
- **FREE STANDING CONSTRUCTION, NO REINFORCEMENT REQUIRED**
- **EXCELLENT RESISTANCE TO IMPACT AND COLD WEATHER STRESS**
- **WON'T CRACK, RUST OR CORRODE**
- **ULTRAVIOLET INHIBITORS PROVIDE PROTECTION AGAINST DETERIORATION FROM SUNLIGHT**
- **SUPERIOR CHEMICAL RESISTANCE AND COMPATIBILITY**
- **DIMENSIONS: 62" Dia. X 70" High**
- **CAPACITY: 660 IMP. GAL.
(3000 LITERS)**



ZEEBEST PLASTICS

35 Calder Place, St. Albert, AB T8N 5A6
Tel : (780) 447-5222 Fax: (780) 455-9448
www.zeebest.com e-mail: sales@zeebest.com