

PRIVY TOILET

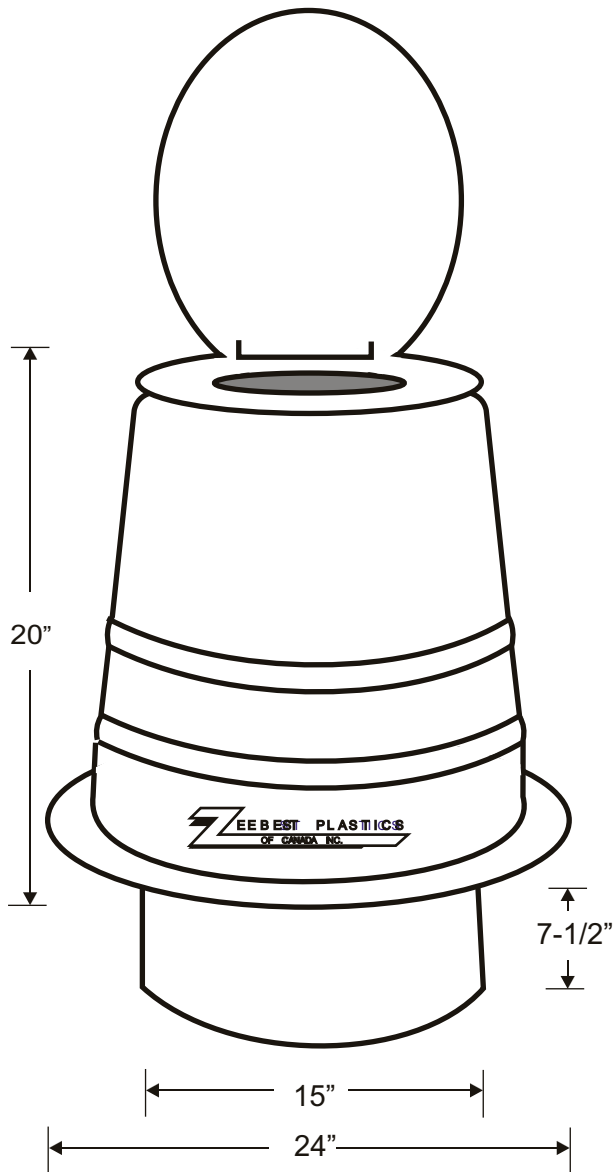


PHOTO: Privy Toilet in Jasper National Park

- OUTHOUSE REPLACEMENT TOILET
- ONE PIECE HEAVY DUTY CONSTRUCTION
- PORTABLE & LIGHT WEIGHT
- U.V. INHIBITORS PROVIDE PROTECTION AGAINST SUNLIGHT
- RODENT RESISTANT
- HYGENIC
- FLANGED BASE FOR EASY INSTALLATION
- WHEELCHAIR ACCESSIBLE
- 2 YEAR WARRANTY

ZEEBEST PLASTICS

35 Calder Place, St. Albert, AB T8N 5A6
Ph: 780.447.5222 Fax: 780.455.9448
www.zeebest.com sales@zeebest.com