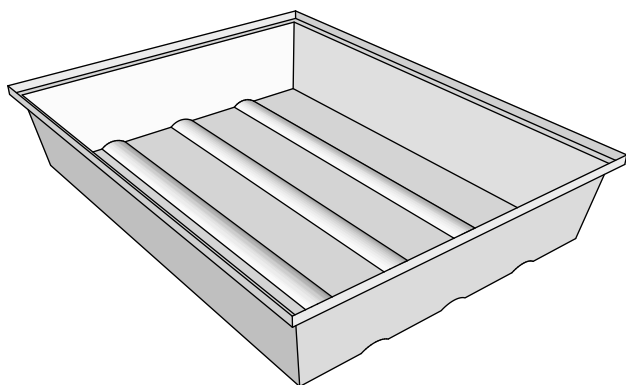
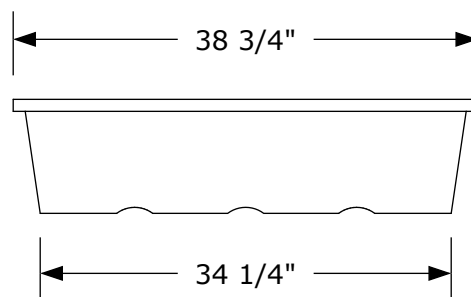
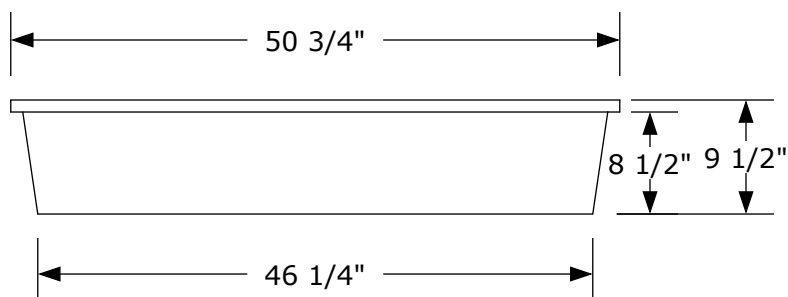
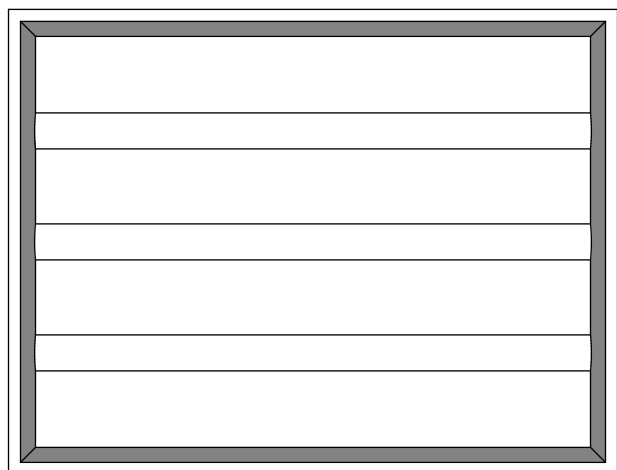


T364808



- HEAVY DUTY, ONE-PIECE, SEAMLESS, POLYETHYLENE CONSTRUCTION
- FREE STANDING CONSTRUCTION, NO REINFORCEMENT REQUIRED
- EXCELLENT RESISTANCE TO IMPACT AND COLD WEATHER STRESS
- WON'T CRACK, RUST OR CORRODE
- ULTRAVIOLET INHIBITORS PROVIDE PROTECTION AGAINST DETERIORATION FROM SUNLIGHT
- SUPERIOR CHEMICAL RESISTANCE AND COMPATIBILITY
- DIMENSIONS: 38 3/4" X 50 3/4" X 9 1/2" H
(34 1/4" X 46 1/4" INSIDE)
- CAPACITY: 50 IMP. GAL.
(227 LITERS)



35 Calder Place, St. Albert, AB T8N 5A6
Ph: 780.447.5222 Fax: 780.455.9448
www.zeebest.com sales@zeebest.com